

## For KRAIBURG rubber flooring on paved floors



### Prerequisites:

The walking area mats were installed according to the KRAIBURG installation instructions.

### Fundamentally:

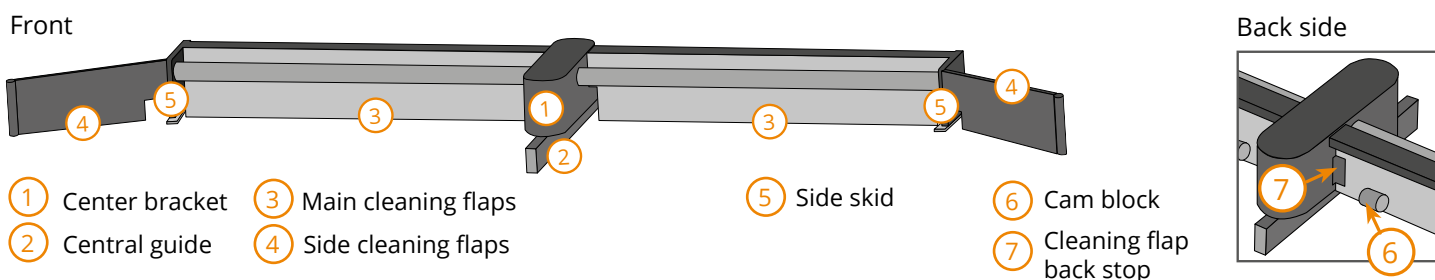
Use scraper facilities especially developed for rubber flooring.

### Structural alterations:

Adapt scraper facilities in collaboration with the scraper manufacturer, according to the KRAIBURG guidelines for manure scrapers.

### Notice:

Only materials with a rubber/plastic or rather metal base can come into contact with the rubber mats, no abrasive materials, e.g. concrete. The crossing material should be made of metal.



## General prerequisites

### ① Unsharpen the edges of the scraper parts

- All edges that come into contact with the mats must be unsharpened (chamfered or rounded)!
- Check scraper facilities for sharp edges caused by wear and tear!



### Important:

Regular maintenance!  
Check the scraper at least once a year!

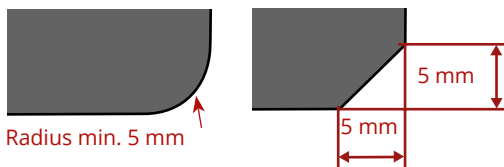
### Cleaning flaps ③ ④

Min. with R2



### Center bracket ① and side skids ⑤ :

Min. with R5 or chamfer 5 x 45°



### ② Bearing pressure should be as low as possible

- Bearing surface of scraper parts:

Standard scrapers with center bracket up to about 250 kg total weight:

Heavy scrapers with center bracket up to about 500 kg total weight:

Center bracket ① and side skids ⑤

min. 4 cm wide

min. 8 cm wide

Cam blocks of scraper blades ⑥

min. 6 cm wide

min. 8 cm wide

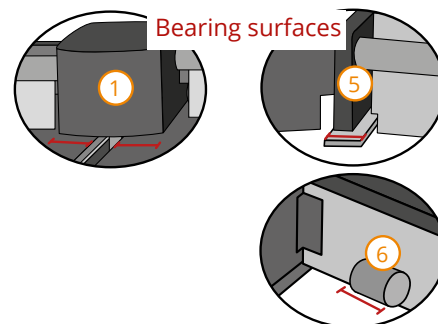
### Extremely heavy scrapers and scrapers with no center bracket:

Enlarge bearing surface respectively (calculate the surface pressure of the scraper parts)

- Max. allowable surface pressure of scraper parts:  
On the center bracket ①: up to 0.3 kg/cm<sup>2</sup>  
On the side skids ⑤: max. 0.5 kg/cm<sup>2</sup>

### ③ Scraper without central guide:

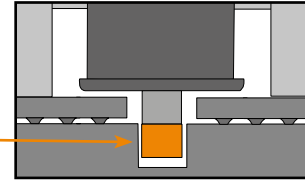
- Set the deflection pulley higher according to mat thickness
- Steel ropes cannot lie directly on the rubber mat  
-> protect mat from abrasion from the rope!
- No abrasion protection needed for the mat, if:
  - a **rod steel link chain** measuring at least 12 mm in diameter is used
  - a plastic rope or plastic covered rope is used



## Scraper adaptation

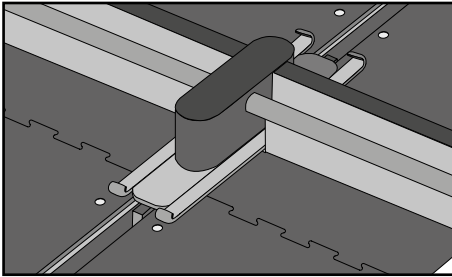
### Center bracket ①

**! Notice:** Make sure that after installation of the rubber mats the guide is securely fitted in the designated guide channel. Heighten the guide by the mat's thickness!

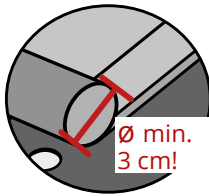


### Options:

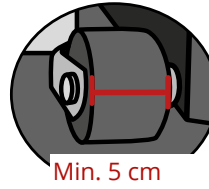
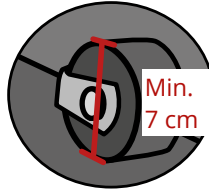
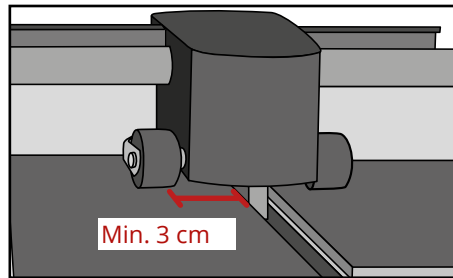
#### ① Skid form bearing surface (front and back)



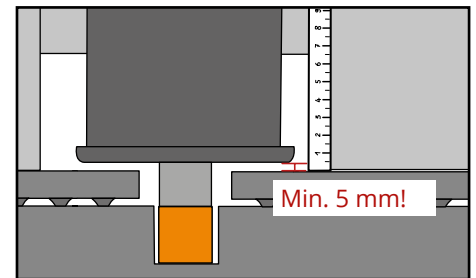
A further option:  
Attach round bar



#### ② Rollers



#### ③ Possibly additional: Raise the center bracket

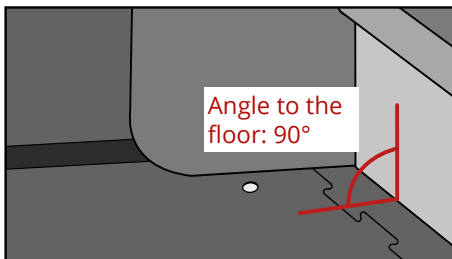


Minimum distance to the mat: 5 mm

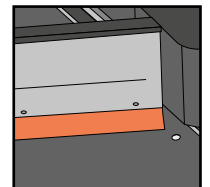
**! Watch for wear and tear!**

### Cleaning flaps ③

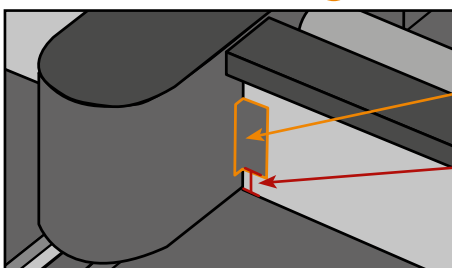
#### Prerequisite:



**i** An elastic **rubber or plastic lip** on the cleaning flaps is not required but can contribute to better cleaning results (especially advantageous when there are imperfections or unevenness in the floor).



#### Cleaning flap back stop ⑦

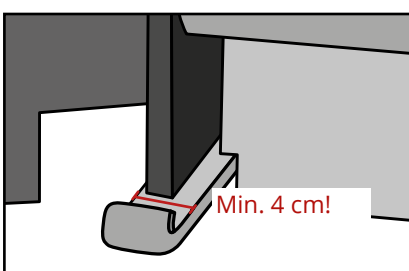


Cleaning flap back stop

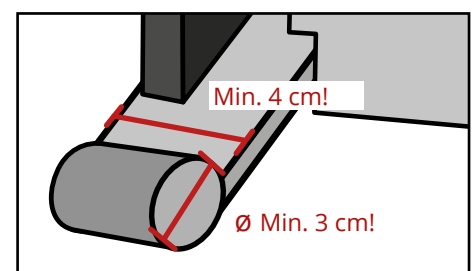
No contact to the surface!  
Distance important!

### Side skids ⑤

Bend in skid form in the front and back



A further option:  
Attach round bar



## Scraper adaptation - examples -

### Unsharpen the edges of the scraper parts



Bearing surface of side skid is rounded off



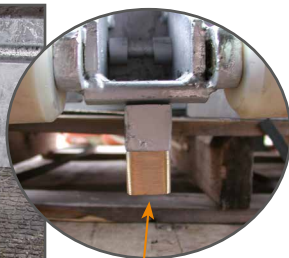
Side cleaning flap  
Attention: Sharp edges! (-> round off!)

### Center bracket



Center bracket rests on wide plastic rolls

### Cleaning flap back stop



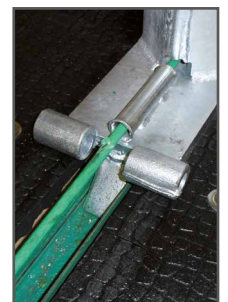
Guide underneath the center bracket set higher according to mat thickness



Wide bearing for the center bracket, bent up in skid form



Side view



Wide bearing for center bracket, welded on round bar

### Side skids



Side skids with round bar and wide bearing



Wide and bent up side skids, screwed on



Wide and bent up side skids

### Main cleaning flaps



Chain links welded on



Round bar disks on a rail



Cam block on main cleaning flap



Cam block on main cleaning flap with roller



Cleaning direction

Cleaning flap back stop: No contact to the surface



Rubber lip: Good cleaning results, and is safe to use on rubber mats

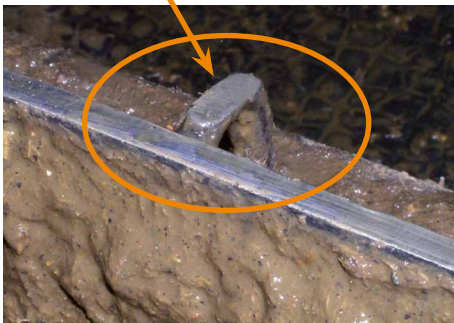
## Important: Regular maintenance

Even on rubber flooring scraper parts wear out, i. e. edges become sharp from grinding.

**!** Check scrapers at least once a year and grind any sharp edges round!

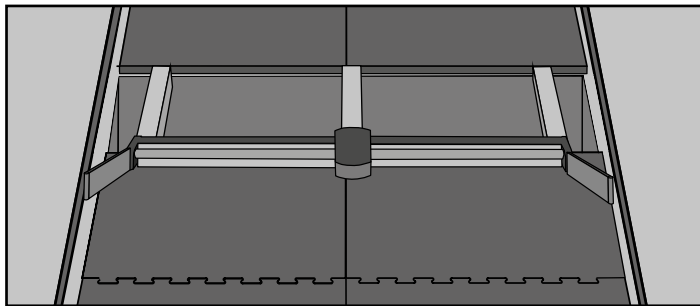
**Example:** Scraper wear on steel parts

Use on rubber after approx. one year:  
significant abrasion recognizable



**!** Scraper adaptation:  
1. Turn scraper over and check it  
2. Round off sharp edges with an angle grinder

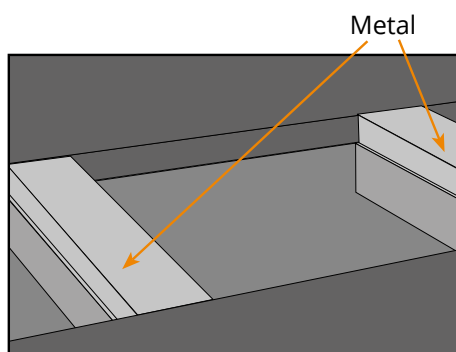
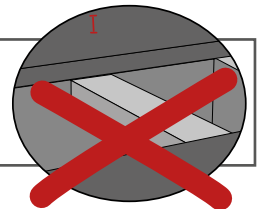
## Scraper crossing above drainshaft



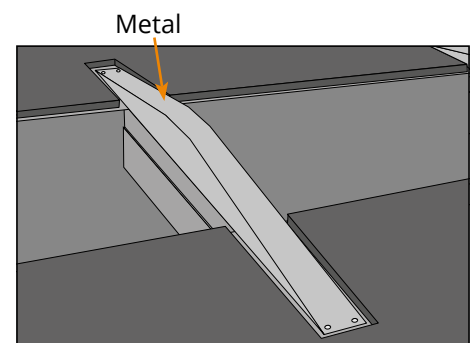
### Minimum Requirements

- Crossing on one level with the mat
- No steps, where the scraper can get caught!

**!** No steps!  
Crossing not below mat level!



**i** **Tip:**  
A "formed" bar is even better suited for passing  
-> e.g. attach a formed iron



**Examples from practice:**

